

KISHWAUKEE AMATEUR RADIO CLUB

Club Call: WA9CJN / Repeater 146.730, -O/S, 100PL

August 2011 NEWSLETTER

Editor: Kent, KC9LIF

Club Officers:

President – Bob, W9ICU
Vice President–Tom, K9GPC
Treasurer – Eric, KC9DUX
Secretary – Ed, KC9PMM



Next Club Meeting:

August 10th, 2011, 7PM

Location:

Christ Community Church
1200 South Malta Rd.,
DeKalb, IL

On the web: www.kish-club.org or
KARC at P.O. Box 371, DeKalb, IL 60115
Monday evening 2 meter net: 9PM on WA9CJN
repeater, featuring ARRL audio news
AREAS/RACES net: Thursday evenings 7PM on
WA9CJN repeater

UPCOMING HAMESTS:

08/07/11: Hamfesters RC, Peotone, IL

09/10/11: Radio Expo, Belvidere, IL

09/16/11: W9DXCC Conv, Elk Grove, IL

JULY CLUB MEETING was on Wednesday July 13th. The meeting was not called to order due to the lack of a quorum. Those that were in attendance were concerned about getting enough volunteers for the upcoming events. Those dates are listed again in this newsletter in hopes that those who have not volunteered will consider helping out.

80 METER RAG CHEW NET: Formerly 160M, at 8:00pm every evening has moved to **3.810 + 15kc** until we establish a permanent frequency. So jump in once in a while and say hello.

UPCOMING CLUB EVENTS: Volunteers will be needed. Contact Bob W9ICU:

08/11-14/11: Northern IL Steam Show

09/24/11: Egyptian Theater 100mile Bike Ride thru DeKalb & W. Kane Co.

10/30/11: Sycamore Pumpkin Festival Parade

VE TESTING SESSIONS in DeKalb are now **by appointment only!** This became effective with the June testing session. The last two testing sessions for this year will be held on Tuesday at 7pm, September 20th, and on Tuesday at 7pm, November 22nd.

If you are planning on attending either of these sessions you must email Eric, at kc9dux@arrl.net or call 815-753-6727 at least 48 hours in advance. If there are no commitments by that time the session will be canceled.

If you are attending you will need to bring \$14.00, a photo ID, proof of Social Security Number or a FRN, original license if any, and any prior CSCEs. Test question pools Q&A can be found on the club website at www.kish-club.org or www.w5yi.org

STEAM SHOW: The Northern Illinois Steam Power Club was begun in 1954 by Chuck Raymond and LeRoy Levine when they bought

a steam engine which was later entered in the DeKalb Centennial Parade in 1956. This sparked interest among other steam buffs that got together and formed the club.



Each 12 noon a steam whistle blows to announce time out for lunch. Food is served at Fay's Fabulous Pork Chop and Chicken Barbecue and at other food vendors located throughout the grounds. Food is served all day until 6:00PM. This will be the 55th year of this event. Open Daily 7am to 6pm with free parking. Admission is \$6.00 for adults, children under 12 are free. Thursday admission for Senior Citizens is \$3.00.



The club has a long history with this event as well. It began the Special Event in 1998. In 1997 **Bob W9ICU** and **John K9TIP** were out at the show when we got a message from **Barry W9JBL** on the repeater that a big Thunderstorm was headed our way. We immediately notified Steam Show Officials of the approaching storm, which, fortunately, gave them time to inform visitors and others to

take necessary precautions. There were high winds that blew down a few tree limbs, and the fresh vegetable tent and did some other minor damage. Fortunately, many visitors went inside the buildings or took cover between the steam engines. There were no personal injuries. The Steam Show officers and several members were very impressed by our help. Since they were looking for additional attractions for the show, we were asked if we would be interested in setting up and operating a radio station at the show. So that is how it got started and the following year we applied for a Special 1x1 call with the ARRL. This year marks our 14th consecutive "**W9S**" **Special Event** at the show. Over the years we have made a total of 4826 contacts, which is an average of 371 per year. Although in the last two years, the band conditions have not been in our favor. All who contact the Station can receive a nice Certificate by sending a QSL Card along with an SASE 9x12 envelope. The basic format of the Certificate has been the same over the years, so it's kind of a collector's item. We have 102 hams who have collected all fourteen previous certificates.

The tent setup, shown here with **Tom K9GPC** operating, is in the Flea Market area of the grounds. Volunteers will be needed to setup, operate, and tear down. Operators will be needed from 8am until 5pm, daily. This is a fun event that generates a lot of interest by passers-by and hams from around the country. Let's have a big turnout of volunteers, and make this another successful Special Event. We need operators with plenty of **STEAM!**

THE 55th Annual SYCAMORE STEAM SHOW & THRESHING BEE
AUG 11, 12, 13, 14 • 2011 (Parade Daily at 1:30)
Taylor Marshall Farm • Sycamore, Illinois
 50 Miles West of Chicago, then 1 1/2 Miles north of Rt. 64 on Rt. 23, 4 Miles East on Plank Road

OLD TIME MUSIC
 Northern Illinois Bluegrass Association

www.threshingbee.org
 For show information call:
262-279-6102
Show Site 815-995-9388

— Admission ^{per} \$6.00 —
 Children Under 12 Free
 Thursday Senior Citizens \$3.00

Open Daily 7am-6pm • Buildings 8:30am-6pm

Sorry... No Pets Allowed

Your own single person handicap chairs & scooters are welcomed, but no golf carts or off road vehicles are allowed.

FREE PARKING

GPS 27707 LUKENS ROAD, SYCAMORE, IL 60178

Skolaut asked Bilous to alert other OOs to monitor the frequency, but the signal was proving hard to locate via direction finding due to changing propagation and fading conditions on the band. "We alerted OOs across the country to monitor and collect additional information for us including bearings and signal strength reports," Skolaut said. "We had a great response from quite a number of Official Observers." But the signal was still proving elusive, so Skolaut contacted the FCC for assistance.

New Mexico Hams Provide Communications Support During Wildfires



The Las Conchas Fire in New Mexico has been burning for a month. As of July 28, it has burned more than 157,000 acres and is 95 percent contained. [Map courtesy of the US Forest Service]

One month after it began, the Las Conchas Fire -- New Mexico's largest fire on record --

has burned more than 157,000 acres and is 90 percent contained. One day after it started, the fire threatened the Los Alamos National Laboratory, forcing the evacuation of the entire town of Los Alamos. During the evacuation, the Santa Fe ARES® Group placed itself on alert. The fire, which began on June 26, is believed to have been human set.

This Week on the Radio:

- August 5 -- NCCC Sprint Ladder
- August 6 -- TARA Grid Dip Shindig; European HF Championship
- August 6-7 -- ARRL UHF Contest; North American QSO Party (CW); 10-10 International Summer Contest (SSB)

ARRL LETTER NEWS AROUND THE COUNTRY:

ARRL Official Observers Team with FCC to Solve Rogue Keyer Problem on 17 Meters

On July 15, **Walt Bilous, K3DQB** -- an Official Observer in ARRL's Eastern Pennsylvania Section -- notified ARRL Headquarters of a keyer

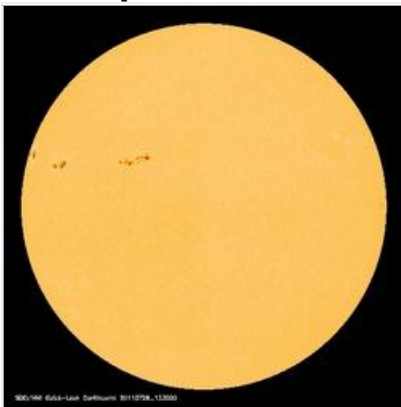


continuously sending a series of dits on 18.0855 MHz. According to ARRL Field and Regulatory Correspondent **Chuck Skolaut, KOBQG**, Bilous kept hearing the dits throughout the night.

- August 7 -- RSGB RoPoCo CW; SARL HF Phone Contest
- August 10 -- NAQCC Straight Key/Bug Sprint
- August 10-11 -- CWops Mini-CWT Test

All dates, unless otherwise stated, are UTC. See the [ARRL Contest Branch page](#), the [ARRL Contest Update](#) and the [WA7BNM Contest Calendar](#) for more information. Looking for a Special Event station? Be sure to check out the [ARRL Special Event Stations Web page](#).

Solar Update



The Sun, as seen on Thursday, July 28, 2011 from [NASA's SOHO Extreme Ultraviolet Imaging Telescope](#). This [MDI](#) (Michelson Doppler Imager) image was taken in the continuum near the Ni I 6768 Angstrom line. The most prominent features are the sunspots. This is very much how the Sun looks in the visible range of the spectrum.

Tad "[Say my name, Sun shines through the rain](#)" Cook, K7RA, reports: Sunspot activity dipped over this past week, but now is on its way back up. On July 20, five sunspot groups were visible, but on July 21, only groups 1251, 1254 and 1259 remained. On July 24, new

sunspot group 1260 appeared, but the next day group 1251 disappeared. On July 26, groups 1254 and 1259 went away, and new sunspot group 1261 arrived. The next day, another new group, 1262, appeared. The average daily sunspot numbers for the week

July 21-27 declined nearly 47 points -- a little more than 50 percent -- to 45.6. The average daily solar flux declined more than 6 points to 91.8. The latest forecast shows the predicted solar flux at 100 on July 28-29, rising to 105 on July 30-31, 110 on August 1-3, and then dropping back to 95 on August 4-7. It also

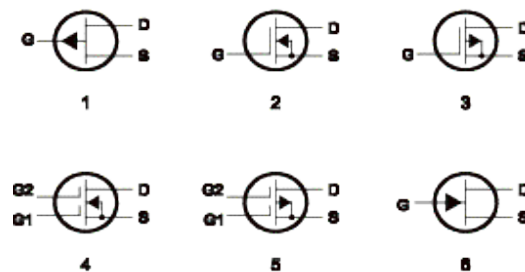
shows the planetary A index at 5 on July 28-30, 12 on July 31-August 1, and 7, 5, 8 on August 2-4, followed by 12 again on August 5-7. Geophysical Institute Prague predicts quiet conditions on July 29, quiet to unsettled July 30, unsettled July 31 and August 1, then quiet to unsettled August 2 and quiet again on August 3-4. Look for more information on the ARRL website on Friday, July 29. For more information concerning radio propagation, visit the [ARRL Technical Information Service Propagation page](#). This week's "Tad Cookism" is brought to you by The Bangles' [Eternal Flame](#).

EXAM QUESTIONS OF THE MONTH: Here is a new feature of the newsletter to help brush off the rust from the brain cells. To make it a little more challenging I have deleted the provided answers. Submit your answers to the Editor's email address, and I will publish the winners in next month's edition. Maybe the Club will spring for a prize to the top Brainiac!!!

Q 23: In polar coordinates, what is the impedance of a network comprised of a 300-ohm-reactance inductor in series with a 400-ohm resistor?

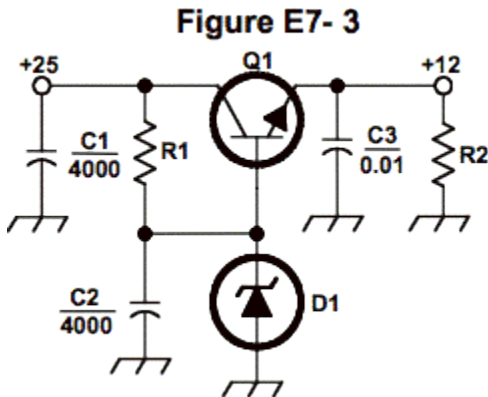
Q 25: In Figure E6-2, what is the schematic symbol for an N-channel dual-gate MOSFET?

Figure E6-2

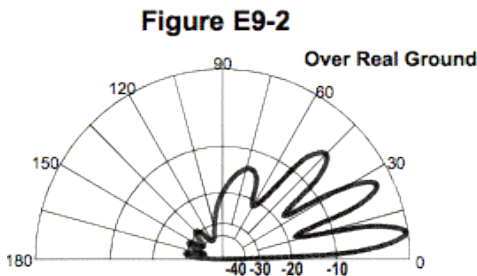


Q 28: How many turns will be required to produce a 5-microhenry inductor using a powdered-iron toroidal core that has an inductance index (A L) value of 40 microhenrys/100 turns?

Q 34: What is the purpose of R1 in the circuit shown in Figure E7-3?



Q 45: What is the elevation angle of peak response in the antenna radiation pattern shown in Figure E9-2?



Q49: How are the wavelength scales on a Smith chart calibrated?

COMMENTS & QUESTIONS: Please direct your comments, ideas, gadgets info, bench work, and questions concerning the newsletter to **Kent KC9LIF**, (kbergphd@hotmail.com). **This is your newsletter to serve your needs.**

Remember the club meeting on August 10th at 7PM.

73,

Kent KC9LIF