

KISHWAUKEE AMATEUR RADIO CLUB

Club Call: WA9CJN / Repeater 146.730, -O/S, 100PL

February 2012 NEWSLETTER

Editor: Kent, KC9LIF

Club Officers:

President – Bob, W9ICU
Vice President–Bryant N9YMY
Treasurer – Eric, KC9DUX
Secretary – Ed, KC9PMM



Next Club Meeting:

February 8, 2012

Location:

Christ Community Church
1200 South Malta Rd.,
DeKalb, IL

Club Dues due on Oct 31st

On the web: www.kish-club.org
KARC at P.O. Box 371, DeKalb, IL 60115
Monday evening 2 meter net: 9PM on WA9CJN repeater,
featuring ARRL audio news
AREAS/RACES net: Thursday evenings 7PM on WA9CJN
repeater

January Meeting: Information requested about the club meeting was not forwarded in time by the Club Secretary to be included in this issue of the newsletter.

80 METER RAG CHEW NET: Formerly 160M, at 8:00pm every evening has moved to **3.810 +15kc** until we establish a permanent frequency. This part of the band has been very active of late, so the group has been moving around more than usual. Join the fun!

UPCOMING EVENTS:

Feb 5th: Antique Radio Swapmeet, American Legion Hall, 570 S. Gary Ave., Carol Stream, IL.

NEW EVENT: Bob W9ICU sent out an email about a new event a couple of weeks ago. He reported that he had received a call from Lt. Cary Singer of the Sycamore Police Department. He is now the Second in command for the Annual "Fizz Ehrler Memorial

Classic Car Show", which is held in Sycamore each year. He would like about (8) Hams or more to help route the Classic cars to the check-in point, for the show.

This event is Sunday, July 29, 2012 in downtown Sycamore. Time

frame would be 5:00am until 9:30-10am, and then we would be free to mingle around and enjoy the show. This is getting to be a really big event here in Sycamore. This is the 12th year that Cruise Night presented by Auto Meter, goes from 3pm-11pm on Saturday. There is a free concert by Vintage Vinyl, food, classic car cruise and 50s theme contest. Come out and see the new and old cars do an old fashioned cruise night in Downtown Sycamore. This is a fun way to see the classics in action. Enjoy spending time with your friends and family checking out the unique paint jobs, fancy rims and old school styles. *It is going to be a revin' good time.*



Spotters Classes: Bob W9ICU reminded us about the upcoming spotter classes provided by the NWS. A list of February meeting locations is listed below:

February, 2012 - Upcoming

Day	City, State	Time	Location
09	Crystal Lake, IL (McHenry County)	1:00pm CST	McHenry County College, Route 14. Registration at http://mcemaevents.com/
Contact Information: 815-338-6400			
09	Crystal Lake, IL (McHenry County)	7:00pm CST	McHenry County College, Auditorium, Route 14. Registration at http://mcemaevents.com/
Contact Information: 815-338-6400			
16	Westchester, IL (Cook County)	7:00pm CST	St. Joseph High School, 10900 Cermak Road, theater - north entrance. Sponsors - Cook County DHSEM, Westchester Fire Dept and Chicago Suburban Radio Assn.
Contact Information: 312-603-8180			
21	Evanston, IL (Cook County)	7:00pm CST	Lorraine Morton Civic Center, 2100 Ridge Ave, 4th Floor, Parasol Room. Sponsors - Cook County DHSEM and Evanston Fire Dept.
Contact Information: 312-603-8180			
22	Morris, IL (Grundy County)	2:00pm CST	Morris Hospital, 150 West High St., Morris, IL 60450
Contact Information: 815-941-3200			
22	Sugar Grove, IL (Kane County)	7:00pm CST	Waubensee Community College, Bodie Hall, Room 150, Route 47
Contact Information: 630-208-8911			
23	Dixon, IL (Lee County)	6:30pm CST	Sauk Valley College, Room 1K4, Route 2
Contact Information: 815-284-3365			
24	Lisle, IL (DuPage County)	1:00pm CST	Benedictine University, Krasa Presentation Room
Contact Information: 630-829-6364			
27	Clarendon Hills, IL (DuPage County)	7:30pm CST	Church of the Holy Nativity, 55th St. and Richmond
Contact Information: DuPage Radio Club 630-985-0527			
28	Channahon, IL (Grundy/Will County)	7:00pm CST	Minooka Community High School, Channahon Campus, Route 6
Contact Information: 815-740-8351			
29	Stillman Valley, IL (Ogle County)	6:30pm CST	Stillman Fire Protection District, 200 South Rural Street
Contact Information: 815-732-3201, ext 289			



VE TESTING SESSIONS in Dekalb are now **by appointment only!** This became effective with the June testing session. The next testing sessions for 2012 will be held on Tuesday at March 20th; and May 15th. If you are planning on attending any of these sessions you must email Eric, at kc9dux@arrl.net or call 815-753-6727 at least **48 hours in advance**. If there are no commitments by the time, that session will be canceled. If you are attending, you will need to bring \$14.00, a photo ID, proof of Social Security Number or a FRN, original license if any, and any prior CSCEs. Test question pools Q&A can be found on the club website at www.kish-club.org or www.w5yi.org

Bench Work: Bob W9ICU found this link about managing RFI from the Audio Systems Group, Inc. entitled *A Ham's Guide to RFI, Ferrites, Baluns, and Audio Interfacing* at their website. It can be found at the URL below:

<http://audiosystemsgroup.com/RFI-Ham.pdf>

Check It Out: I ran across a website that has a lot of information worth checking on. It is called *Teamspeak: Chat With The Designers* put together by the New Jersey QRP Club located at the website:

<http://www.njgrp.org/teamspeak/TeamspeakChat.html>

Prepare yourself to be able to help others in an emergency from dangerous and deadly storms.

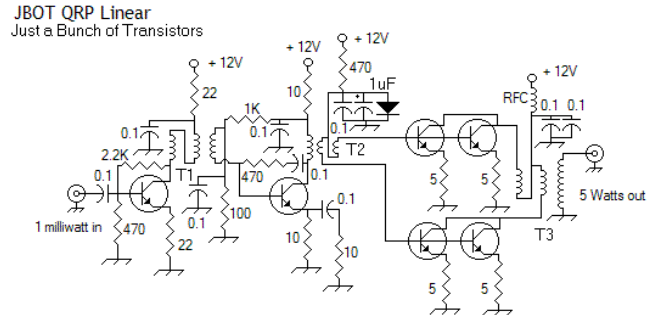
Every Tuesday evening at 8pm Eastern Time (0100z), N2APB and N2CX co-host a live audio conferencing session. Often joined by designers of other projects as well (e.g., W8NUE, AD7JT, N1RX, OH2NLT and KD5TFD), we gather around this technical watering hole to discuss various topics that are of interest to us, as well as to others in attendance. Whether you seek information about your latest project on the bench, or wish to listen in on the various designers discussing some new chip or product/kit solution they are currently working on, this is the place to be. If you can't make the live chat, it is archived on the above link with other past sessions. Check it out; there is a lot of interesting information. The January 17th episode was on Antennas, while the upcoming Jan 24th episode is Grounding 101.

Shack Shot: Here is an idea from AC4R, a member of SKCC, to dress up your shack wall. The SKCC clock face used with an 8 inch Walmart clock, which costs about \$5 bucks. They are easy to take apart to install the new face. Print on 110lb card stock Check under the photos section AC4R to see the finished clock Corel draw file. I have a full-size JPG, which I can email for anyone interested in giving this a try, or make your own.



From Solder Smoke(ing): For those of us who follow Bill Meara's N2CQR blogspot have been interested in all the solder he has been burning lately now that the building season is upon us. Here he talks about his 17M SSB transmitter that he has been modifying with a JBOT amplifier. Not being familiar with the term I looked it up and found at:

<http://www.phonestack.com/farhan/jbot.html>



Note the transformers carefully (All windings are 26 swg)
 T1: trifilar winding on TV balun cores (use FT37-43 instead) 7 turns (7:7:7)
 T2: primary ten turns, secondary of 3 turns bifilar (10:3:3) on TV balun core (use FT37-43 instead)
 T3: Primary 5 turns bifilar, Secondary 10 turns (5:5:10), adjust turns on the secondary for best power
 (Use two TV baluns stacked and taped together, or use four FT 37-43s arranged as two stacks of two each)
 RFC: 10 turns on TV balun of FT 37-43

All transistors 2N2218 or equivalent, All of them with small clip-on heatsink

(c) Ashhar Farhan, 2009.
 You may freely reproduce this circuit and the accompanying text as long as you don't change anything and reproduce them together

From the blog spot, Bill says:*



Even though one of their Coronal Mass Ejections is due to hit us soon, the radio gods have been

quite kind to me this morning. I installed the JBOT amplifier board in the 17 meter SSB transmitter that I had built out in the Azores during the last solar cycle. The board went in without any trouble. And I was a very surprised when it DIDN'T break into oscillation and instability! Holy Cow! This one was stable from the start! Even when connected to my antenna! Eureka!

The rig still needs some peaking and tweaking. I'm only getting about 2-3 watts out and I should be getting 4-5. I did a quick and dirty "by ear" alignment --- I just listened to my own signal with my trusty Drake 2-B and moved the carrier oscillator freq around a bit until the SSB audio sounded good (you never have to do that with DSB!).

For those of you not familiar with this rig, here is some background:

- Built on the chassis of an old Heath DX-40
- Crystal filter at 5.174 MHz. Filter rocks and carrier oscillator rocks from an old Swan 240 I picked up in the Dominican Republic from Pericles Perdomo HI8P (SK).
- Based on a design published in SPRAT by Frank Lee, G3YCC (SK).
- Heterodyne oscillator is a G3RJV Universal VXO circuit running at around 23.3 MHz.
- That orange cord to the big meter that you are no doubt wondering about is just a little circuit that monitors total current drawn by the rig. It bounces up and down as I talk. I put it in there mostly because I wanted to make use of a beautiful old Simpson meter that I picked up in 1973 at the Crystal Radio Club (W2DMC) in Valley Cottage, New York.



Going around, clockwise from below the meter: G3RJV VXO, carrier oscillator and two diode balanced modulator board, crystal filter (with NE602 mixer and post-filter bandpass filter to the left), JBOT PA. Audio amp (using

op amp) below the chassis. T/R relay in the center (antenna changeover relay below the chassis).

*Check out for more information and bigger pictures at:

<http://soldersmoke.blogspot.com/2012/01/jbot-installed-in-azores-17-meter-ssb.html>

ARRL LETTERS:

+ *Public Service*: Hams in Arkansas and Alabama Help Provide Assistance to NWS During Severe Sunday Storms

Strong winds and tornadoes moved through Arkansas and Alabama on Sunday, January 22. In response to the storms, the National Weather Service office in Little Rock activated Arkansas SKYWARN the same afternoon, while ARES® members were activated in parts of Alabama.

Arkansas SKYWARN Program Coordinator Danny Straessle, KE5WLR, summoned a team of radio amateurs and headed to the NWS office to provide communications support to the forecasters. While Straessle was enroute to the NWS office, Daryl Stout, AE5WX, brought up the Weather Watch Net, a pre-net for Arkansas SKYWARN. By 6 PM, the Arkansas SKYWARN net control team was in place and the NWS issued the first tornado warning for the area. At this time, Straessle and Shane Lee, KF5FBR, took over as Net Control for the Arkansas SKYWARN net. They were assisted by Mona Blacklaw, KM5ONA. The NWS received reports of tornadoes in Arkansas, Dallas, Lonoke, Prairie and Cleveland Counties.

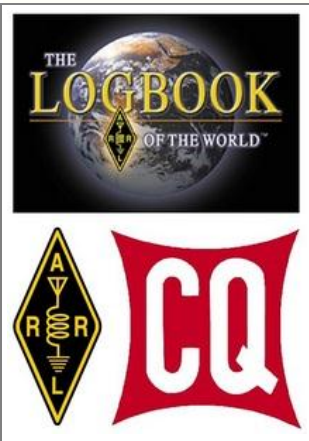


Willie Gillmore -- a meteorologist at the National Weather Service in Little Rock, Arkansas -- watches storms develop in Grant County. [Photo courtesy of Arkansas SKYWARN]

In addition to activity by Arkansas SKYWARN, ARES® members in Alabama also helped to provide communications support in that state.

According to David Gillespie, W4LHQ, of the Jefferson County Emergency Management Agency, hams across Central Alabama began monitoring the storm conditions in preparation for a possible activation. "Hams deployed to the National Weather Service office to relay storm observations and damage reports," he told the ARRL. "When the NWS issued a tornado warning that evening, local ARES® members began an emergency communications net. Net Control logged reports from 34 stations through the night. When the storms cleared, these damage reports were used to dispatch first responders to the areas that sustained the most severe damage." Fourteen hams reported to the Jefferson County EMA, where Gillespie coordinated communications for three shelters run by the American Red Cross. Read more [here](#).

+ Logbook of The World to Now Support CQ Awards



The ARRL and CQ Communications, Inc have signed an agreement to begin providing support for CQ-sponsored operating awards by the ARRL's Logbook of the World (LoTW) electronic confirmation system. The agreement was announced jointly

on January 24 by ARRL Chief Operating Officer Harold Kramer, WJ1B, and CQ Communications President Richard Ross, K2MGA.

CQ's awards will be the first non-ARRL awards supported by LoTW and will be phased in beginning with the CQ WPX award, with additional CQ awards to follow. The ARRL's LoTW system -- an interactive database recording contacts between radio amateurs -- was created in 2003 and has been adopted by 47,500 radio amateurs worldwide. It already has records of 400 million contacts and is

growing weekly. The target date for beginning LoTW support for WPX is April 1, 2012. Amateurs will be able to use LoTW logs to generate lists of confirmed contacts to be submitted for WPX credit. Standard LoTW credit fees and CQ award fees will apply. Read more [here](#).

+ ARRL Bestows Awards at 2012 Annual Meeting



The ARRL Board of Directors had the pleasure and distinction of bestowing three annual awards on six recipients at its 2012

Annual Meeting: The George Hart Distinguished Service Award, the Bill Leonard, W2SKE, Professional Media Award for print, audio and video, and the ARRL International Humanitarian Award. Read more [here](#).

+ A Reminder: Postage Rates To Rise this Month



Beginning Sunday, January 22, it will cost more to mail first class

letters, postcards and packages within the US. The cost to mail a first class letter will be 45 cents, an increase of 1 cent. According to the USPS, this is the first increase since May 2009. The cost of mailing a postcard will be 32 cents, an increase of 3 cents. This is the second increase for postcard postage in less than a year; in April 2011, the USPS boosted the postcard stamp price from 28 cents to 29 cents. You will also pay more to send letters to Canada, Mexico and other international destinations. Click [here](#) for more information on all the postal increases.

+ Army MARS Resumes Use of Winlink 2000

According to Government Liaison for Army MARS Pudge Forrester, AAA9GL, Lieutenant General Susan Lawrence has reversed the decision to phase out the use of the [Winlink 2000](#) global radio e-mail system by Army MARS members. General Lawrence stated that the Army -- after reviewing its capabilities -- had decided that the continued use of Winlink 2000 was a valuable asset to Army MARS members and to the agencies that were using the service. She issued a statement to that effect on December 21, 2011. On January 5, 2012, the Chief of Army MARS officially notified his membership that the phase out notice had been rescinded. Army MARS members and agencies who had been using the service hailed the decision by General Lawrence and resumed use of Winlink 2000.



+ US District Court for Maine Issues Order Granting Summary Judgment against Glenn Baxter, K1MAN

On January 10, the US District Court for Maine issued a ruling in the FCC's lawsuit to collect monetary forfeitures issued to Glenn Baxter, K1MAN, of Belgrade Lakes, Maine.

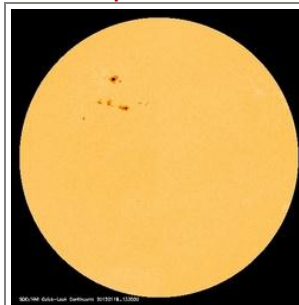


The [FCC had assessed forfeitures in the amount of \\$21,000 against Baxter](#) on three asserted violations of the *Communications Act of 1934* and its regulations: Failure to respond to an FCC inquiry in violation of [Title 47, Section 308 of the US Code](#), willful or malicious interference with other radio transmissions in violation of [Section 97.101\(d\)](#), and engaging in communications in which he has a pecuniary interest in violation of [Section 97.113\(a\)\(3\)](#). Chief US District Judge John A. Woodcock Jr, in writing for the Court, agreed with the FCC on

the first two counts -- willful or repeated failure to respond to FCC requests for information, and willful or malicious interference -- and granted summary judgments to the FCC in the amount of \$3000 and \$7000, respectively. On the third claim -- communications in which an amateur station licensee or control operator has a pecuniary interest -- the Court declined to grant a summary judgment to the FCC, holding that there were issues of material fact to be litigated in the Court in later proceedings. Find a link to the complete decision [here](#).



Solar Update



The Sun, as seen on Thursday, January 19, 2012 from [NASA's SOHO Extreme Ultraviolet Imaging Telescope](#). This [MDI](#) (Michelson Doppler Imager) image was taken in the continuum near the Ni I 6768 Angstrom line. The most prominent features are the sunspots. This is very much how the Sun looks in the visible range of the spectrum.

Tad "[Fooling me like the Sun in the winter](#)" Cook, K7RA, reports: New sunspot groups appeared on every day over the past week. On January 12, new sunspot group 1396 appeared, and the next day two more -- 1397 and 1398 -- popped into view. On January 14, four new sunspot groups appeared: 1399, 1400, 1401 and 1402. January 15 saw

group 1391 vanish and new group 1403 emerge. Two more appeared January 16 -- 1404 and 1405 -- while 1397 vanished. On January 17, 1406 appeared and 1395 disappeared, while 1407 emerged on January 18. The average daily sunspot numbers rose this week, from 90.6 to 116.9, while the solar flux stayed about the same, changing from 134.9 to 133.4. The latest predictions have a solar flux of 150 on January 19-20, 155 on

January 21-22, 160 on January 23-25, 155 on January 26, 140 on January 27-29, and 135 on January 30-February 6; we are still looking for a solar flux peak of 165 on February 17-21. The predicted flux values of 160 on January 23-25 are markedly higher than the 145 predicted last week for the same dates. The predicted planetary A index is 6, 8, 5, 8 and 12 on January 19-23, and 5 on January 24 through the end of the month. Look for more information on the ARRL website on Friday, January 20. For more information concerning radio propagation, visit the [ARRL Technical Information Service Propagation page](#). This week's "Tad Cookism" is brought to you by Max Graham's *Sun in Winter*.

And Remember: It's winter; don't get your tongue stuck to your vertical antenna. It will not improve your SWR.



Funny Bone*: An elderly ham driver was going down the interstate when suddenly his 2 meter rig crackled his call...Answering...he heard a fellow ham's urgent warning....."Hey Elmer, just heard on the news that there's a car going down I-40 the wrong way, please be careful"!! Elmer replied, "Hell, it's not just one....there's hundreds of them!!!!!!!!!!!"

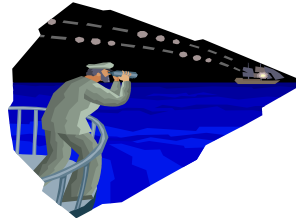
A ham is driving up a steep, narrow mountain road, his antennas flopping in the breeze and flopping into the other lane. A YL is driving down the same road. As they pass each other, the YL narrowly

missed the antennas and leans out of the window and yells... **"PIG!"** The ham immediately leans out of his window and replies, **"WITCH!!!"**

They each continue on their way, and as the man rounds the next corner, he crashes into a pig in the middle of the road.

If hams would only listen!

*(Courtesy of N4UJW at Hamuniverse.com)



COMMENTS & QUESTIONS: Please direct your comments, ideas, gadgets info, bench work, shack shots, remember when segments, and questions concerning the newsletter to **Kent KC9LIF**, (kbergphd_at_hotmail.com).

This is your newsletter to serve your needs.

Remember the next club meeting is February 8th, 2012 at 7PM.

**73,
Kent KC9LIF**